



EKOMAK

*Endüstriyel Kompresör ve Makina
Sanayi ve Ticaret A.Ş.*

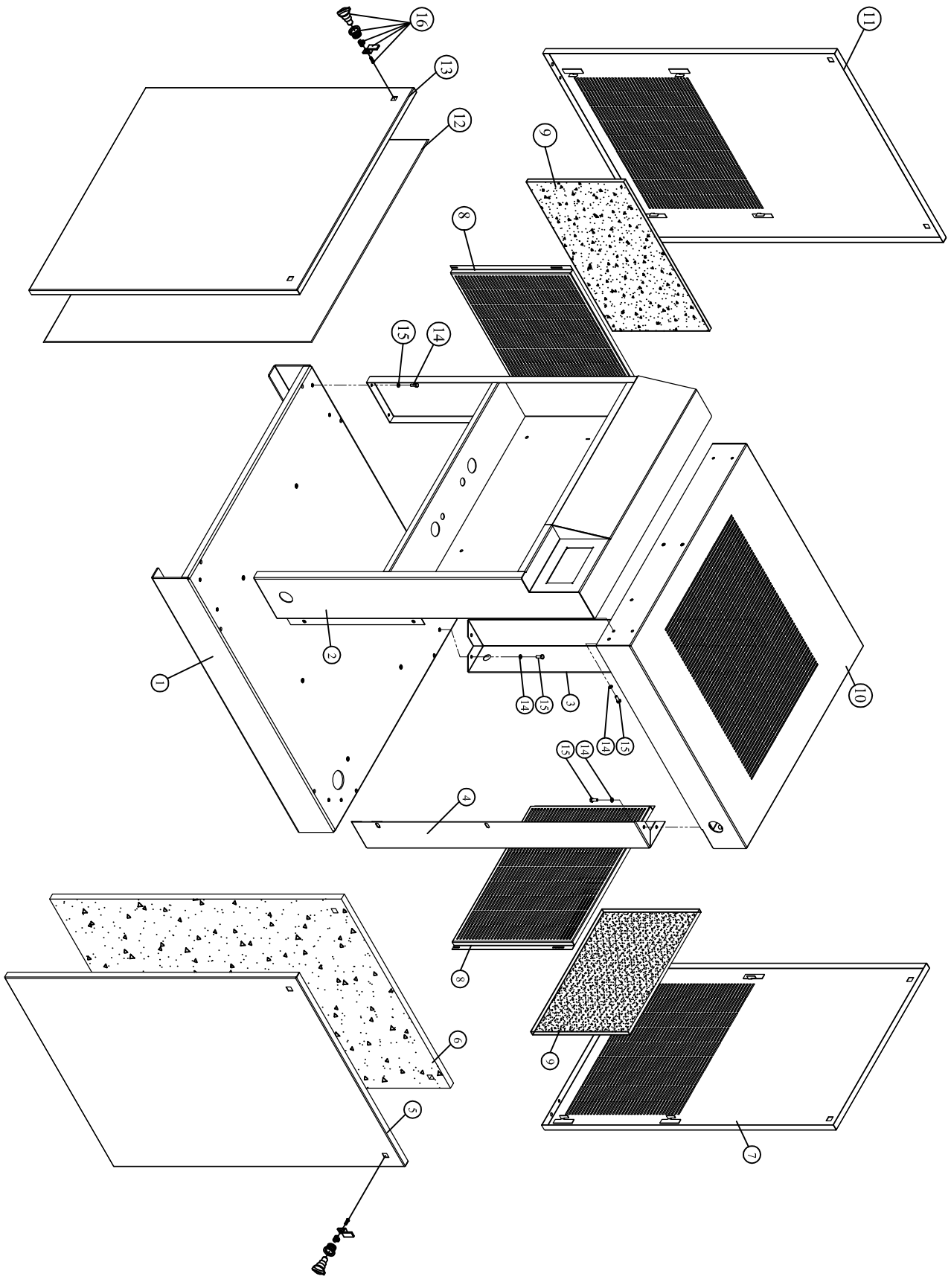
ENDÜSTRİYEL VİDALI HAVA KOMPRESÖRÜ

INDUSTRIAL AIR COMPRESSOR

**DMD SERIE
DMD 200**

**PARCA LİSTESİ/PARTLIST
GELECEK BAŞVURULAR İÇİN
SAKLAYINIZ.KEEP FOR
FUTURE REFERENCE**

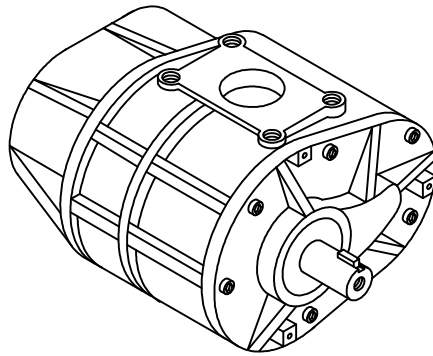
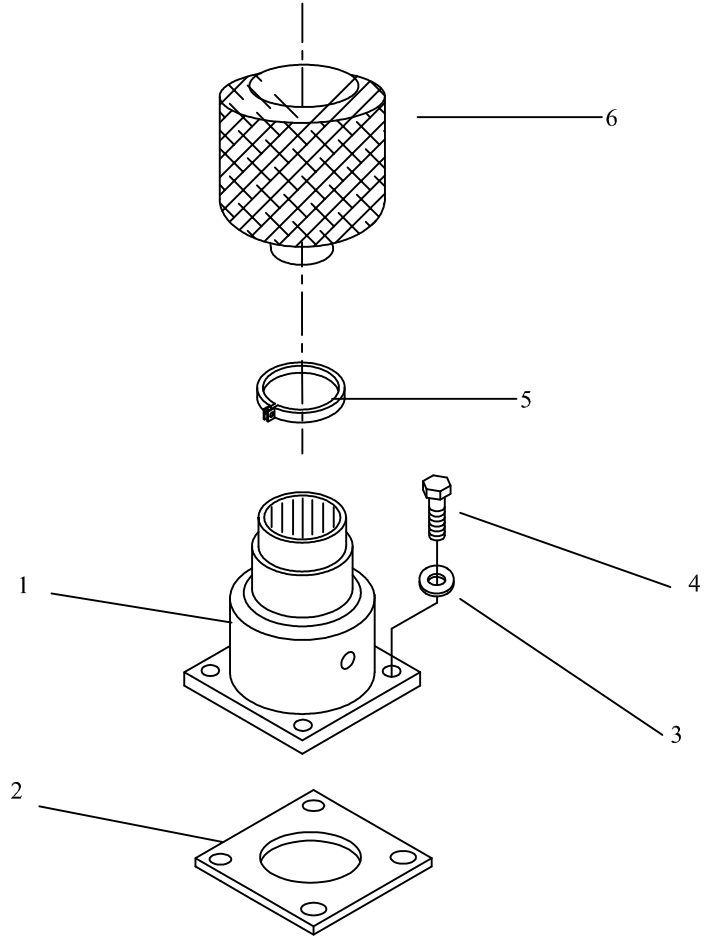
AKUSTIK KABIN / ACUSTIK CANOPY / AKUSTISCHES MASCHINENGEHÄUSE
 (15 - 18,5 - 22 KW)



AKUSTİK KABİN / ACUSTIC CANOPY

NO	PARÇA ADI	DESCRIPTION	BEZEICHNUNG	PARÇA NO/PART NO
1	kasa tabanı	Sheet, sole	Gehäuseboden	215101-11
2	elektrik panosu	Electric box	Schaltschrank	215106-2
3	arka sol direk	Pole, right back	Linke Pfosten , Hinterseite	215107-6
4	arka sağ direk	Pole, left back	Rechte Pfosten , Hinterseite	215107-5
5	sağ yan kaporta	right side bodywork	rechts Karosserie	215116-4
6	sağ yan kaporta izolasyonu	isolation of the right side fairing	Isolierung der rechten Seitenverkleidung	215122-9
7	arka emiş kaportası	rear suction bodywork	Ansaugung hinten Karosserie	215108-2
8	arka emiş kaporta kartuşu	the back of the cartridge body suction	der Rückseite der Patrone Körper Sog	215108-3
9	panel filtre	panel filter	Panel-Filter	215162-4
10	kasa tavanı	Door, top	Decke , Rahmengestell	215119-2
11	yan emiş kaportası	Door, left side inlet	Tür , linke Saugseite	215108-1
12	fitil	Weatherstrip, electric box	Profildichtung	20F101
13	elektrik pano kapısı	Door, electric box	Schaltschranktür	215116-5
14	civata, M6 x 15	Capscrew, M6 x 15	Schraube , M6 x 15	20C146
15	puş, M6	Washer, M6	Unterlegscheibe , M6	20P104
16	kilit	Lock	Verschluss	215140-3

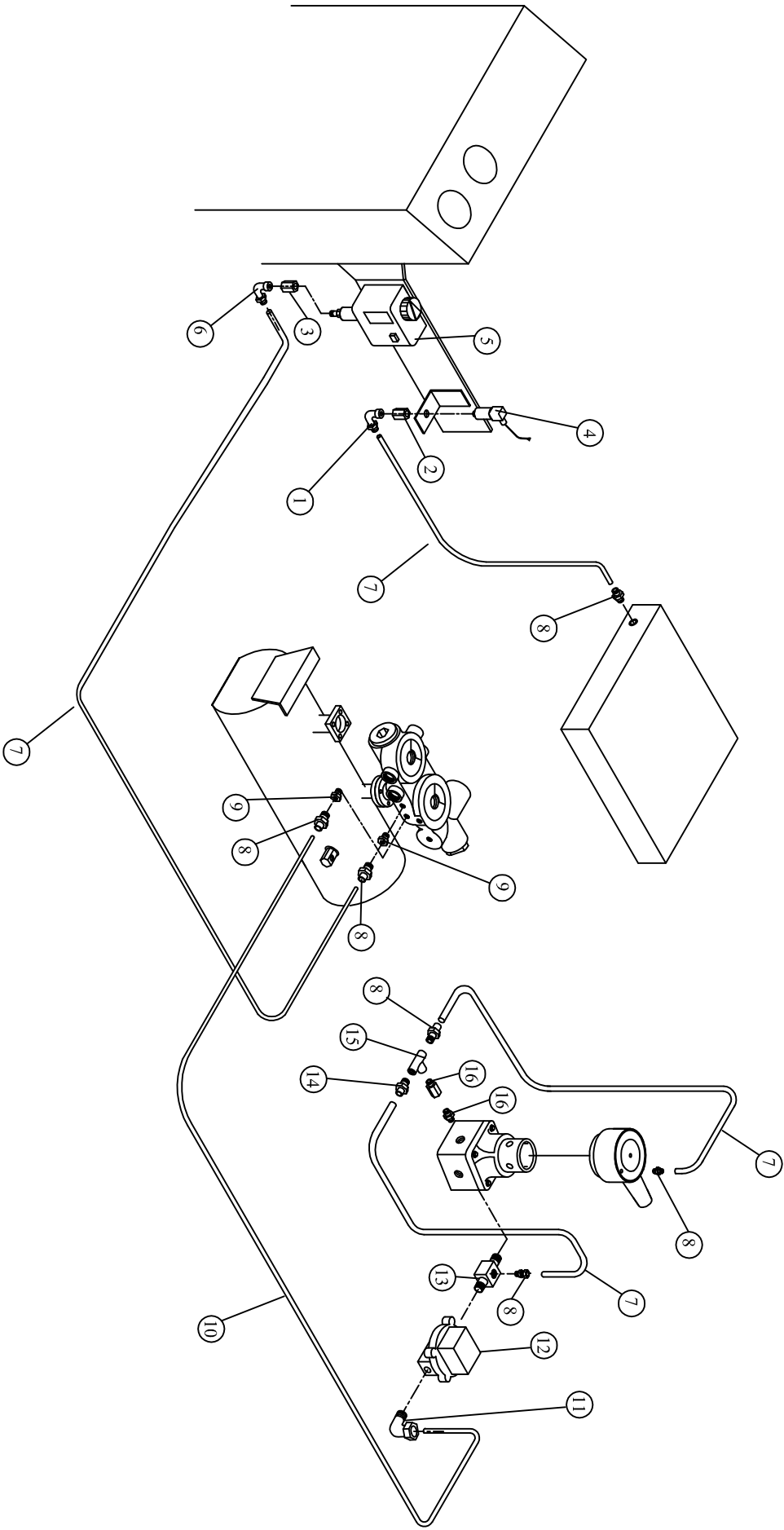
HAVA EMİŞ SİSTEMİ / AIR INLET SYSTEM/LUFTEINLAUFSYSTEM



HAVA EMİŐ SİSTEMİ / AIR INLET SYSTEM / LUFTEINLAUFSYSTEM

NO	PARÇA ADI	DESCRIPTION	BEZEICHNUNG	PARÇA NO/PARTS NO
1	emiŐ valfi	valve, air inlet	Lufteinlaufventil	230957-4
2	emiŐ valfi contactı	gasket, air inlet valve	Dichtung , Lufteinlaufventil	245753
3	pul, M12	washer, M12	Unterlegscheibe , M12	20P109
4	civata, M12*30	capscrew, M12*30	Schraube, M12*30	20C159
5	Filtre kelepçesi			215404-5
6	hava filtre elemanı	element, air filter	Luffilterelement	222406-1

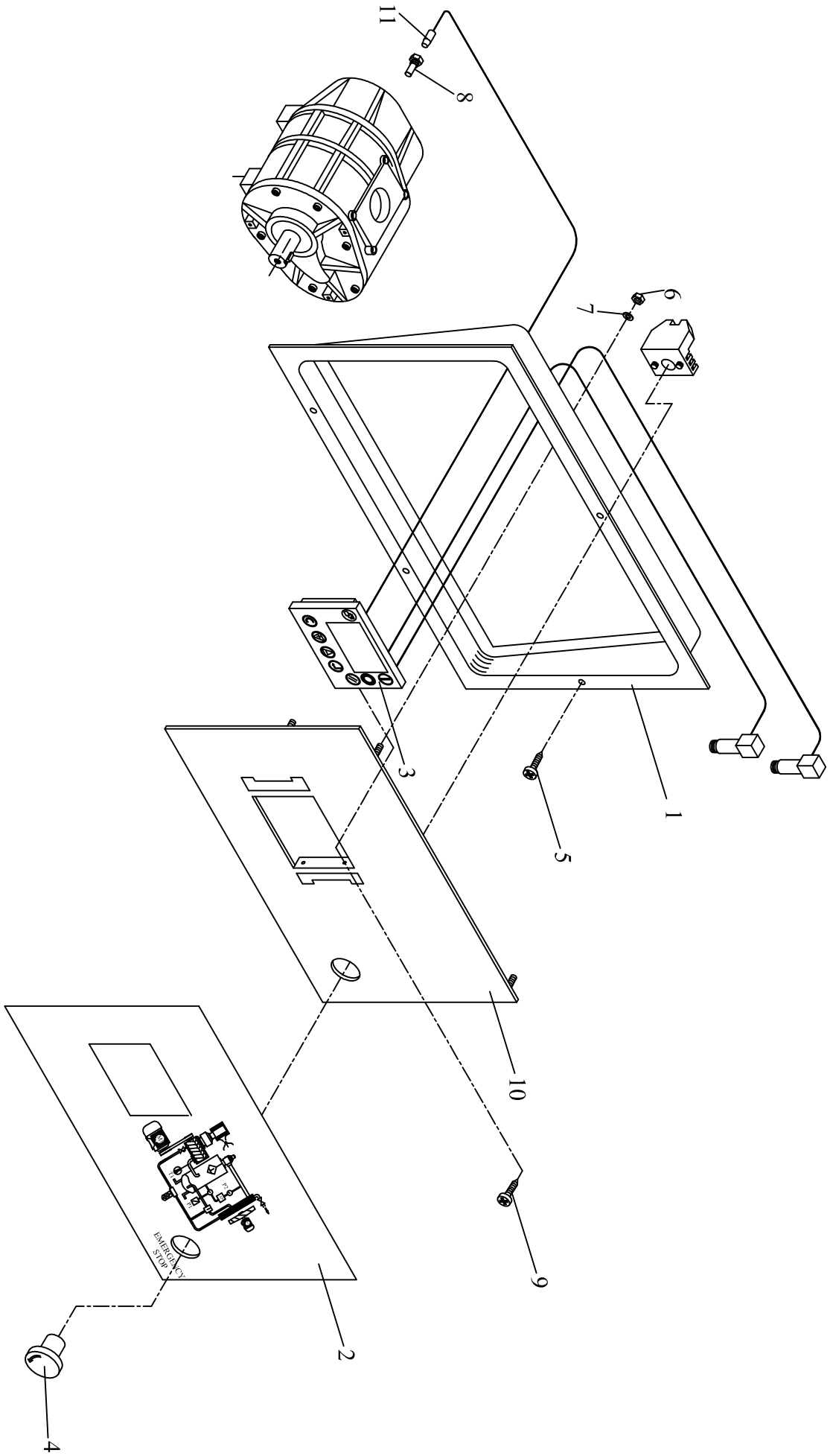
KONTROL SYSTEM / CONTROL SYSTEM / STEUERUNGSSYSTEM TEILE



KONTROL SİSTEM / CONTROL SYSTEM / STEUERUNGSSYSTEM TEILE

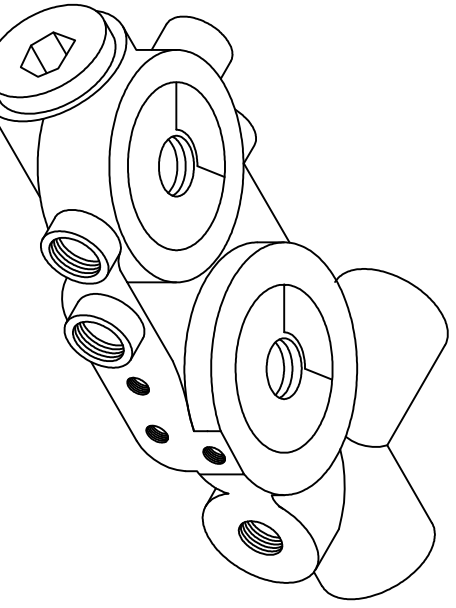
NO	PARÇA ADI	DESCRIPTION	BEZEICHNUNG	PARÇA NO/PART NO
1	sıkmalı dirsek, 1/4" -Ø6	connector hose 1/4" - Ø6	Schlauchstecker, 1/4"-Ø 6	200329
2	manşon 1/4"	manchon, 1/4"	Muffe, 1/4"	200392
3	presostat manşon 1/8"	manchon, presostat 1/8"	Druckschalter Muffe, 1/8"	200393
4	basınç sensörü	sensor, pressure	Druckfühler	245833
5	emniyet presostatı	switch, pressure-maximum pressure	Sicherheitsdruckschalter	255802
6	sıkmalı dirsek rekor, 1/8" - Ø6	connector elbow hose 1/8" - Ø6	Schlauchstecker, 1/8" - Ø6	200320-1
7	polyamid hortum Ø6	hose polyamid Ø6	Polyamid -Schlauch, Ø 6	2PH381
8	sıkmalı dirsek rekor, 3/8"-Ø10	connector hose, 3/8"-Ø10	Schlauchstecker 3/8"-Ø10	200320-2Y
9	redüksiyon, 3/8"- 1/4"	reduction, 3/8"- 1/4"	Reduzierstück, 3/8"- 1/4"	200348-1
10	polyamid hortum Ø 10	hose polyamid Ø 10	Polyamid -Schlauch, Ø 10	2PH382
11	sıkmalı dirsek rekor, 3/8"-Ø10	connector hose, 3/8"-Ø10	Schlauchstecker 3/8"-Ø10	200320-2Y
12	solenoid valf 3/8"	valve, solenoid 3/8"	Magnetventil 3/8"	230954
13	T,NPT 1/4"-NPT 3/8"	Tee,NPT 1/4"-NPT 3/8"	Schlauch-T Stück-Stecker ,NPT 1/4"-NPT 3/8"	200375
14	nipel, 1/4"-1/4" (sarı kaplamalı)	nipple, 1/4"-1/4"	Nippel, 1/4"-1/4"	200204
15	t, 1/4"	tee, 1/4"	Schlauch- T Stück-Stecker 1/4"	200358
16	check valf, 1/4"	check valve, 1/4"	Rückschlagventil, 1/4"	230955-1

KUMANDA PANEL GRUBU / INSTRUMENT PANEL GROUP / SCHALTAFEL (SI PANEL)

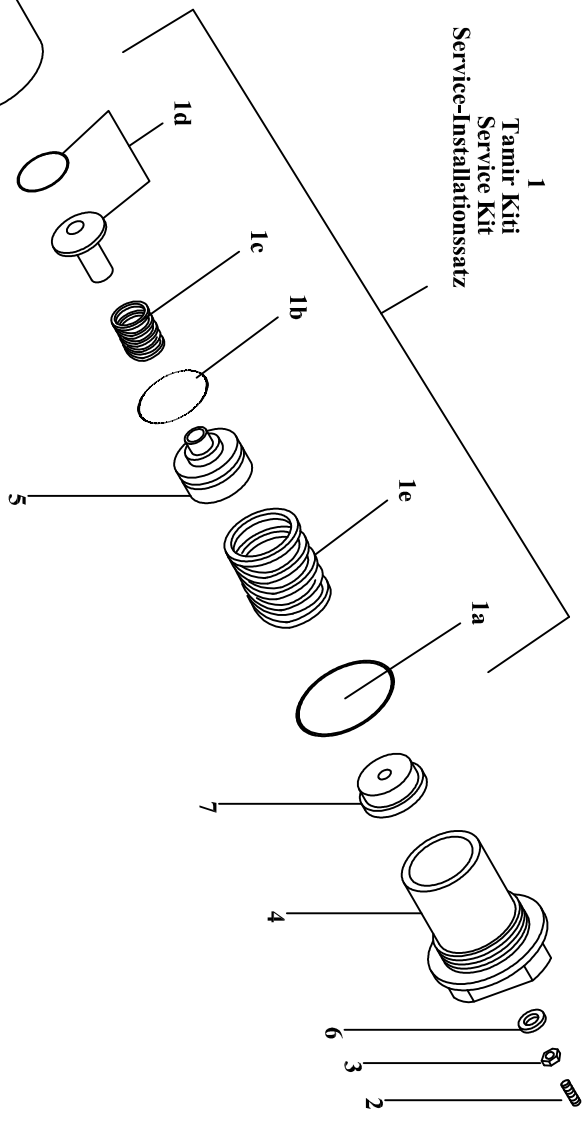


KUMANDA PANEL GRUBU / INSTRUMENT PANEL GROUP / SCHALTAFEL

NO	DESCRIPTION	DESCRIPTION	BEZEICHNUNG	PARÇA NO / PARTS NO
1	panel kasası	instrument panel	Schalttafel Rahmengestell	ELK000690
2	panel etiketi	Ticket, panel	Schalttafelschild	AMB000083
3	kontrol paneli (S1)	panel, control (S1)	Schalttafel (Steuerung)	ELK000194
4	es emergency stop butonu	button, es emergency stop	Not - Aus Taste	ELK000382
5	cıvata	capscrew	Schraube	BGL000471
6	somun, M4	nut, M4	Mutter, M4	BGL000016
7	pul, M5	washer, M5	Unterlegscheibe, M5	BGL000091
8	müşür yuvası 1/4"-1/8"	termocouple connection 1/4"-1/8"	Thermoelement Anschluß 1/4"-1/8"	BGL000222
	müşür yuvası 3/8"-1/8"	termocouple connection 3/8"-1/8"	Thermoelement Anschluß 3/8"-1/8"	BGL000219
9	cıvata	capscrew	Schraube	BGL000471
10	panel sacı	panel sheet	Schalttafel Blech	ELK000849
11	Isı sensörü	temperature sensor	Reset-Taste	ELK000388

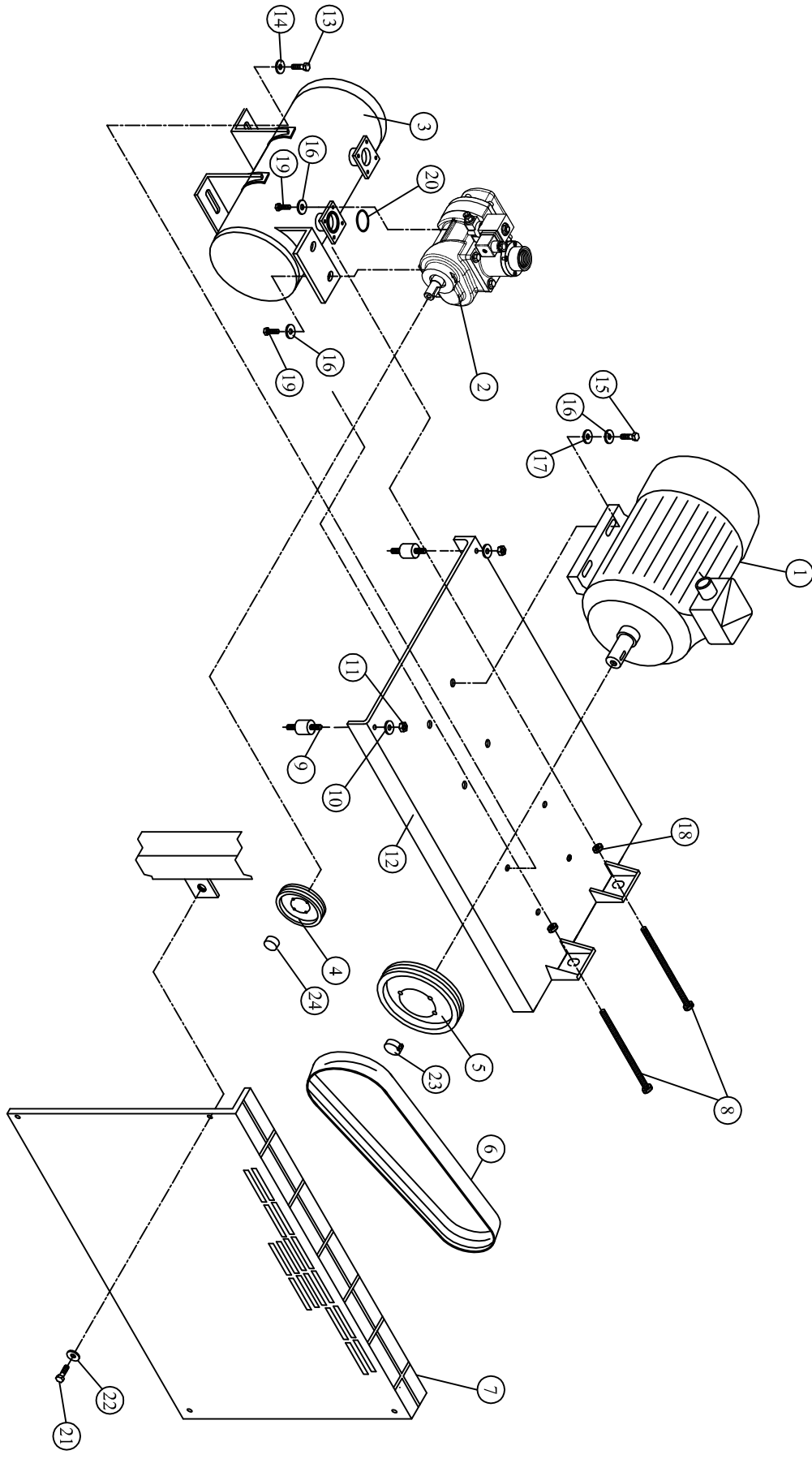


1
 Tamir Kiti
 Service Kit
 Service-Installationsatz



MİNİMUM BASINÇ VALFİ / MINIMUM PRESSURE VALVE / MINIMAL DRUCKVENTIL

NO	PARÇA ADI	DESCRIPTION	BEZEICHNUNG	PARÇA NO/PARTS NO	PIECE
1	tamir kiti	service kit	Service-Installationssatz	245951-C	1
1a	o-ring	o-ring	o-ring	-	1
1b	o-ring	o-ring	o-ring	-	1
1c	klape yayı	spring	Klappenfeder	-	1
1d	klape	klape	Klappe	-	1
1e	basınç ayar yayı	spring	Druckregel Feder	-	1
2	setiskur, M8x25	setscrew	schraube	20C282	1
3	somun, M8	nut	Regelmutter	20S103	1
4	kovan	piston housing	Shutzgehäuse	245951-C2	1
5	piston	piston	Kolben	245951-C3	1
6	rondela, M8	spring washer	Unterlegscheibe	20R102	1
7	kapak	cover	Federdruckteil	245951-C7	1

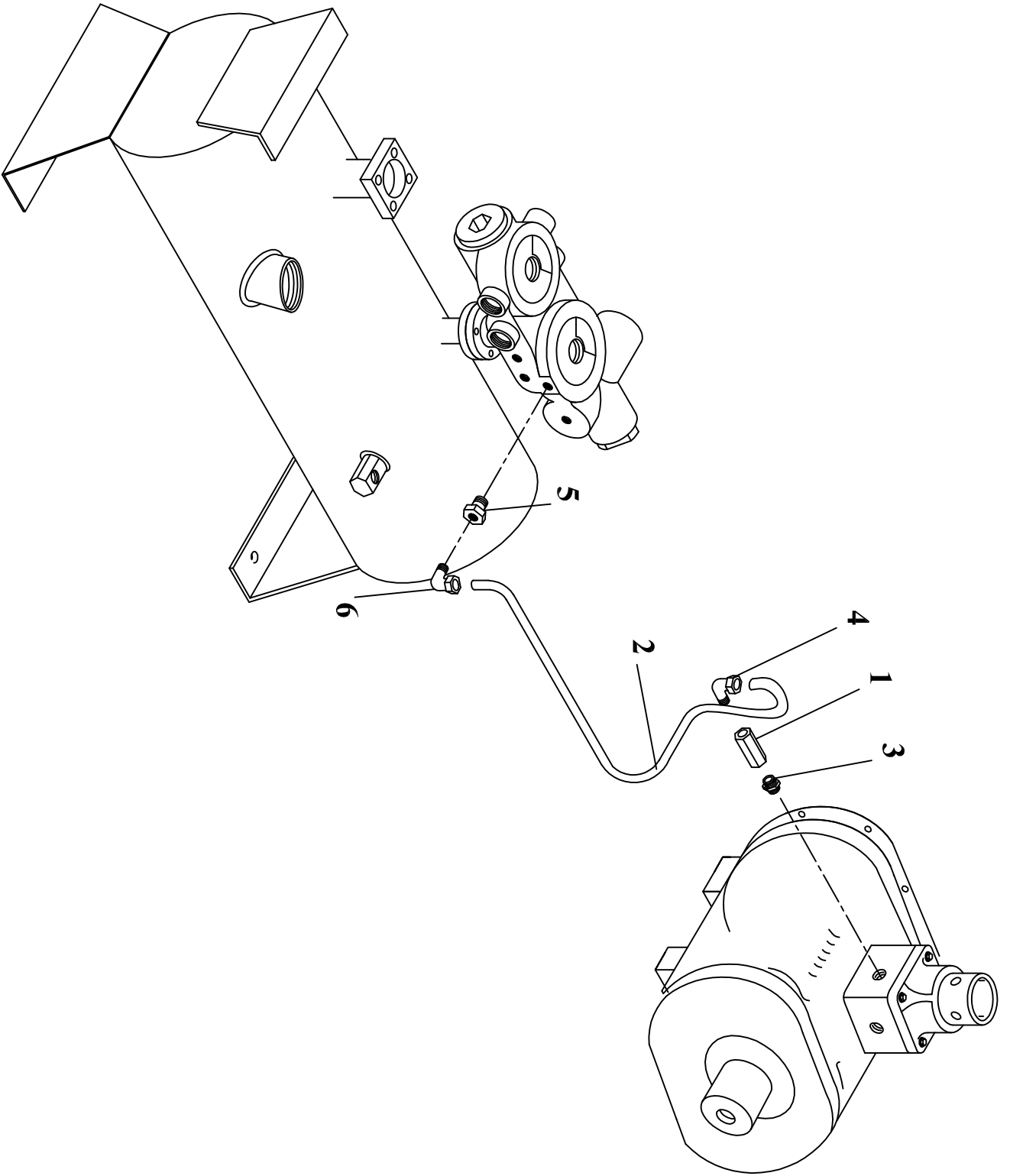


MOTOR ve VIDA SISTEMI (DMD 200)
 MOTOR and COMPRESSOR SYSTEM / MOTOR und KOMPRESSORBLOCK

MOTOR ve VİDA ÜNİTESİ / MOTOR and COMPRESSOR UNIT

NO	PARÇA ADI	DESCRIPTION	BEZEĞİMLER	PARÇA NO/PARTS NO
1	elektrik motoru (15 Kw-S)	Electric motor (15 Kw-S)	Motor ,elektrik (15 Kw-S)	215201-13
1	elektrik motoru (15 Kw-E)	Electric motor (15 Kw-E)	Motor ,elektrik (15 Kw-E)	215201-14
1	elektrik motoru (18,5 Kw-S)	Electric motor (18,5 Kw-S)	Motor ,elektrik (18,5 Kw-S)	218201-9
1	elektrik motoru (18,5 Kw-E)	Electric motor (18,5 Kw-E)	Motor ,elektrik (18,5 Kw-E)	218201-10
1	elektrik motoru (22 Kw-S)	Electric motor (22 Kw-S)	Motor ,elektrik (22 Kw-S)	222201-2
1	elektrik motoru (22 Kw-E)	Electric motor (22 Kw-E)	Motor ,elektrik (22 Kw-E)	222201-3
2	vida	unit, compressor	Schraubkompressorblock	222901-3
	vida	unit, compressor	Schraubkompressorblock	215901-2
	vida	unit, compressor	Schraubkompressorblock	222901-4
3	separatör tankı(EU VIDA TIP 26)	sump tank	Sumpbehälter	211905-4
	separatör tankı(V MIX22R TIP 17-C)	sump tank	Sumpbehälter	215905-3
4	vida kasnağı Ø140xPL8 7bar (15kw)	pulley, air end Ø140xPL8 7bar (15kw)	Riemenscheibe, Verdichterstufe Ø140xPL8 7bar (15kw)	215234
	vida kasnağı Ø125xPL8 8bar (15kw)	pulley, air end Ø125xPL8 8bar (15kw)	Riemenscheibe, Verdichterstufe Ø125xPL8 8bar (15kw)	215239
4	vida kasnağı Ø135xPL8 8bar (15kw)	pulley, air end Ø135xPL8 8bar (15kw)	Riemenscheibe, Verdichterstufe Ø135xPL8 8-10bar (15kw)	215233
	vida kasnağı Ø160xPL8 10bar (15kw)	pulley, air end Ø160xPL8 10bar (15kw)	Riemenscheibe, Verdichterstufe Ø160xPL8 10bar (15kw)	215236-2
4	vida kasnağı Ø170xPL8 13bar (15kw)	pulley, air end Ø170xPL8 13bar (15kw)	Riemenscheibe, Verdichterstufe Ø170xPL8 13bar (15kw)	215237-1
	vida kasnağı Ø120xPL10 8 Bar (18,5kw)	pulley, air end Ø120xPL10 8 Bar (18,5kw)	Riemenscheibe, Verdichterstufe Ø120xPL10 8 Bar (18,5kw)	215235-2
4	vida kasnağı Ø140xPL10 10 Bar (18,5kw)	pulley, air end Ø140xPL10 10 Bar (18,5kw)	Riemenscheibe, Verdichterstufe Ø140xPL10 10 Bar (18,5kw)	215231
	vida kasnağı Ø155xPL10 13 Bar (18,5kw)	pulley, air end Ø155xPL10 13 Bar (18,5kw)	Riemenscheibe, Verdichterstufe Ø155xPL10 13 Bar (18,5kw)	222234-1
4	vida kasnağı Ø150xPL10 7 bar (22kw)	pulley, air end Ø150xPL10 7 bar (22kw)	Riemenscheibe, Verdichterstufe Ø150xPL10 7 (22kw)	218241-1
	vida kasnağı Ø140xPL10 8 bar (22kw)	pulley, air end Ø140xPL10 8 bar (22kw)	Riemenscheibe, Verdichterstufe Ø140xPL10 8 (22kw)	218241
4	vida kasnağı Ø175xPL10 10 bar (22kw)	pulley, air end Ø175xPL10 10 bar (22kw)	Riemenscheibe, Verdichterstufe Ø175xPL10 10 (22kw)	218238
	vida kasnağı Ø185xPL10 13 bar (22kw)	pulley, air end Ø185xPL10 13 bar (22kw)	Riemenscheibe, Verdichterstufe Ø185xPL10 13 bar (22kw)	218244
	motor kasnağı Ø265xPL8 7bar (15kw)	pulley, main motor Ø265xPL8 7bar (15kw)	Motorriemenscheibe Ø265xPL8 7bar (15kw)	215225-1
5	motor kasnağı Ø250xPL8 8-10bar (15kw)	pulley, main motor Ø250xPL8 8-10bar (15kw)	Motorriemenscheibe Ø250xPL8 8-10bar (15kw)	215229
	motor kasnağı Ø235xPL8 13bar (15kw)	pulley, main motor Ø235xPL8 13bar (15kw)	Motorriemenscheibe Ø235xPL8 13bar (15kw)	215225-3
5	motor kasnağı Ø225xPL8 8bar (15kw)	pulley, main motor Ø225xPL8 8bar (15kw)	Motorriemenscheibe Ø225xPL8 8bar (15kw)	215225-4
5	motor kasnağı Ø290xPL10 7bar (18,5kw)	pulley, main motor Ø290xPL10 7bar (18,5kw)	Motorriemenscheibe Ø290xPL10 7bar (18,5kw)	218203-14
5	motor kasnağı Ø265xPL10 8bar (18,5kw)	pulley, main motor Ø265xPL10 8bar (18,5kw)	Motorriemenscheibe Ø265xPL10 8bar (18,5kw)	218203-16
5	motor kasnağı Ø260xPL10 10bar (18,5kw)	pulley, main motor Ø260xPL10 10bar (18,5kw)	Motorriemenscheibe Ø260xPL10 10bar (18,5kw)	218203-15
5	motor kasnağı Ø245xPL10 13bar (18,5kw)	pulley, main motor Ø245xPL10 13bar (18,5kw)	Motorriemenscheibe Ø245xPL10 13bar (18,5kw)	222207-1
5	motor kasnağı Ø210xPL10 7bar (22kw)	pulley, main motor Ø210xPL10 7bar (22kw)	Motorriemenscheibe Ø210xPL10 7bar (22kw)	222219
5	motor kasnağı Ø205xPL10 8bar (22kw)	pulley, main motor Ø205xPL10 8bar (22kw)	Motorriemenscheibe Ø205xPL10 8bar (22kw)	218218
5	motor kasnağı Ø195xPL10 10bar (22kw)	pulley, main motor Ø195xPL10 10bar (22kw)	Motorriemenscheibe Ø195xPL10 10bar (22kw)	218203-8
5	motor kasnağı Ø185xPL10 13bar (22kw)	pulley, main motor Ø185xPL10 13bar (22kw)	Motorriemenscheibe Ø185xPL10 13bar (22kw)	218225
6	kayış, 8*1270 (15kw)	belt, 8*1270	Riemen 8*1270	215253-1
6	kayış, 10*1270 (18,5-22 kw)	belt, 10*1270	Riemen 10*1270	218253
	kayış, 8*1194 (EU VIDA)	belt, 8*1194	Riemen 8*1194	215253-11
7	kayış muhafazası	guard, belt	Riemenschutz	211254-7
8	saplama, M12x120	stud, M12x120	Gewindebolzen , M12x120	25P160
9	titreşim takozu	mount, vibration issulation	Schwingungsisolator	215502
10	M8 pul	M8, washer	Unterlegscheibe, M8	20P105
11	M8 somun	M8, nut	Mutter M8	20S103
12	şase	plate	Rahmengestell	211501-10
13	çivata, M10x25	capscrew, M10x25	Schraube, M10x25	20C156
14	pul (özel)	washer (special)	Unterlegscheibe	20P108
15	çivata, M12x42	capscrew, M12x42	Schraube, M12x42	20C281
16	pul M12	washer, M12	Unterlegscheibe , M12	20P109
17	pul (özel)	washer (special)	Unterlegscheibe	20P139
18	M12 somun	M12 ,nut	Mutter M12	20S121
19	çivata, M12*30	capscrew, M12*30	Schraube, M12*30	20C159
20	O-ring (56,82*2,62 viton)	O-ring (56,82*2,62 viton)	O-ring (56,82*2,62 viton)	218752
21	M6 x1,5 çivata	M6 x1,5 capscrew	Schraube, M6x1,5	20C146
22	M6 pul	M6 ,washer	Unterlegscheibe , M6	20P104
23	kasnak bureu (15kw)	pulley, bush (15kw)	Büchse (15kw)	207260-11
23	kasnak bureu (18,5-22kw)	pulley, bush (18,5-22kw)	Büchse (18,5-22kw)	207260-7
24	kasnak bureu (15kw)	pulley, bush (15kw)	Büchse (15kw)	207260-36
24	kasnak bureu (18,5-22kw)	pulley, bush (18,5-22kw)	Büchse (18,5-22kw)	207260-23

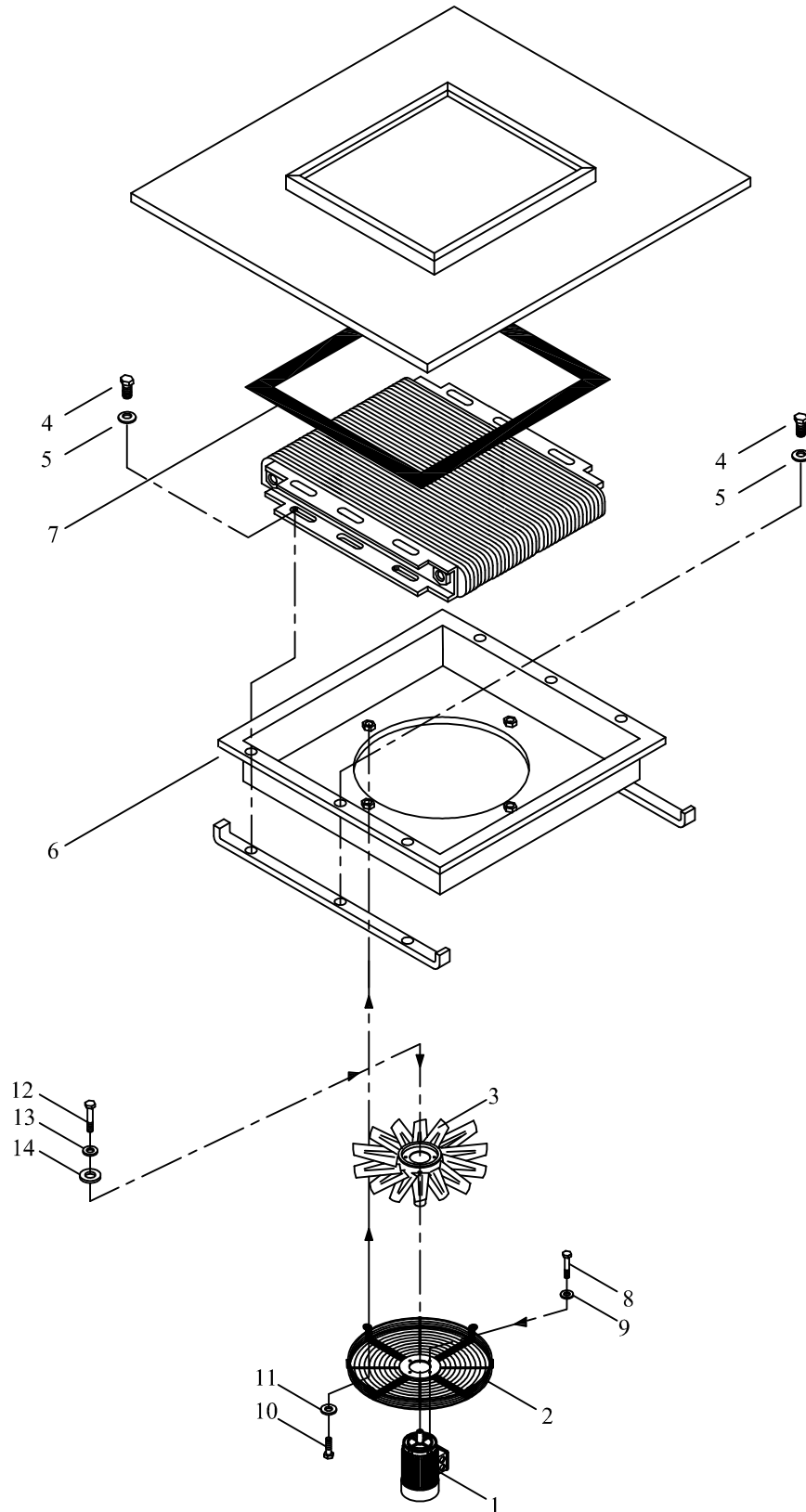
SKAVENÇ HATTI / SCAVENGE LINE / ENTLADUNG UND ÖLRÜCKLEITUNG



KOMPRESÖR SKA VENÇ HATTI / COMPRESSOR SCAVENGE LINE SYSTEM

NO	PARÇA ADI	DESCRIPTION	BEZEICHNUNG	PARÇA NO/PARTS NO
1	check valf 1/4"	check valve, 1/4"	Rückschlagventil, 1/4"	230955-1
2	polyamid hortum Ø6	hose polyamid Ø6	Polyamid -Schlauch, Ø 6	2PH382-2
3	nipel 1/4" -1/4"	niple 1/4" -1/4"	Nippel 1/4"-1/4"	200204
4	sıkmalı dirsek rekor, 1/4"-Ø6	connector elbow hose, 1/4"-Ø6	Schlauchstecker, 1/4"-Ø6	200329
5	lüle, 1/8"-1/8"	adaptor, 1/8"-1/8"	adaptor, 1/8"-1/8"	200510-2
6	dirsek 1/8" Ø 6	elbow 1/8" Ø 6	Ellbogen 1/8" Ø 6	200263

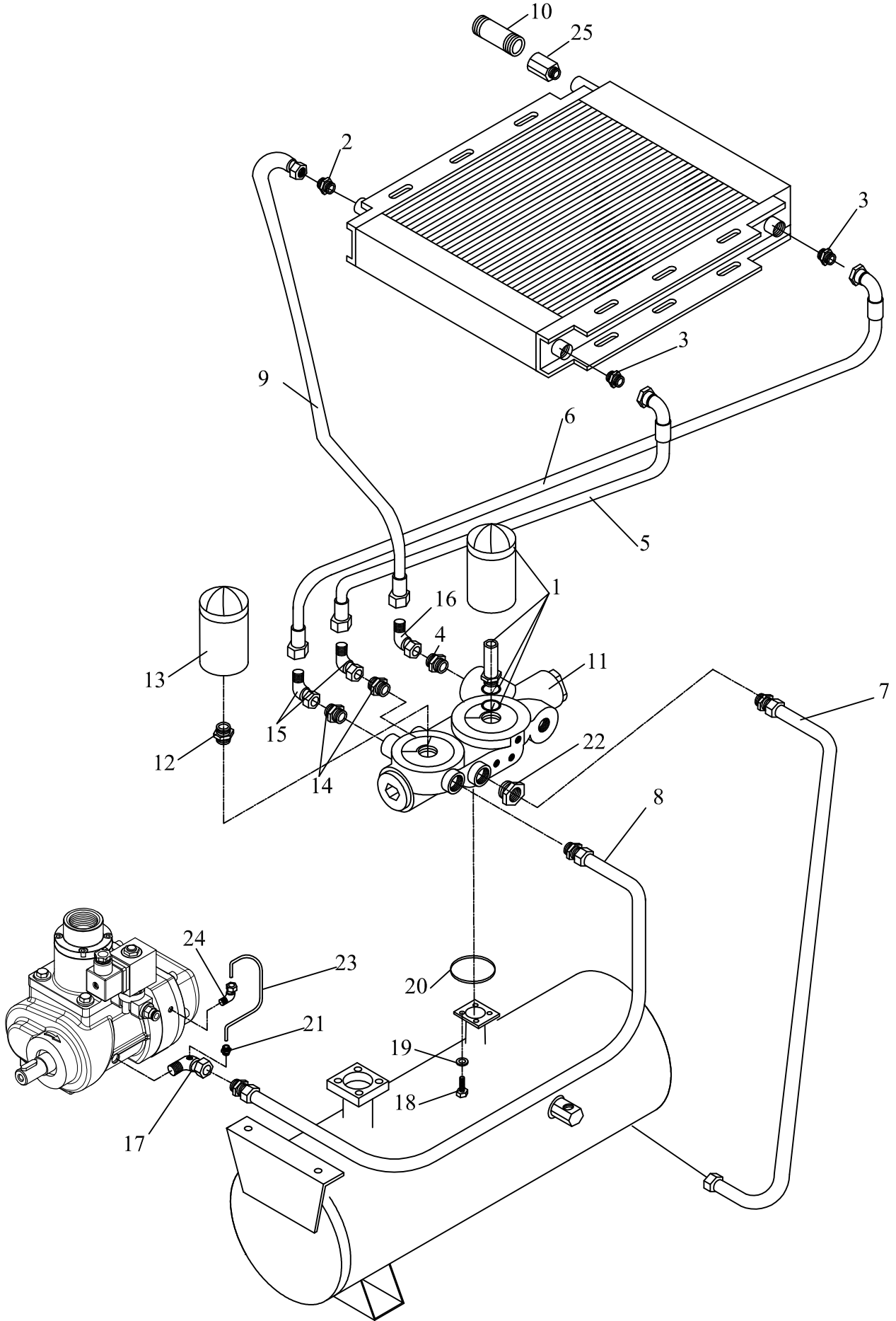
SOĞUTMA SİSTEMİ / COOLER SYSTEM / KÜHLUNG SYSTEM



SOGUTMA ÜNİTESİ / COOLER UNIT / KÜHLUNG SYSTEM

NO	PARÇA ADI	DESCRIPTION	BEZEICHNUNG	PARÇA NO-PART NO
1	fan motoru 0,18 kw (S)	motor, fan 0,18 kw (S)	Lüftermotor 0,18 kw (S)	218202-2
2	fan muhafazası	guard, fan (22 kw)	Lüftergitter (22 kw)	222255
3	fan Ø 400x6 (15-18kw)	fan Ø 400x6 (15-18 kw)	Lüfter Ø 400x6 (15-18 kw)	218603-3
	fan Ø 450x6 (22 kw)	fan Ø 450x6 (22 kw)	Lüfter Ø 450x6 (22 kw)	222603-2
4	civata, M8x25	capscrew, M8x25	Schraube , M8x25	20C148
5	pul, M6 2,5xØ8,5xØ22	washer, M6 2,5xØ8,5xØ22	Unterlegscheibe , M6 2,5xØ8,5xØ22	20P106
6	davlumbaz (15-18 kw)	venturi (15-18 kw)	Lüftergestell (15-18 kw)	218602
	davlumbaz (22 kw)	venturi (22 kw)	Lüftergestell (22 kw)	222602-2
7	yapışkanlı conta	adhesive gasket	Klebedichtung	222122-20
8	civata, M5x20	capscrew, M5x20	Schraube , M5x20	20C210
9	pul, M5	washer, M5	Unterlegscheibe , M5	20P102
10	civata, M6x25	capscrew, M6x25	Schraube , M6x25	20C178
11	pul, M6	washer, M6	Unterlegscheibe , M6	20P104
12	civata, M4x35	capscrew, M4x35	Schraube , M4x35	20C120
13	pul, M4	washer, M4	Unterlegscheibe , M4	20P101
14	pul, M6 (özel)	washer, M6 (special)	Unterlegscheibe , M6 (speziell)	20P135

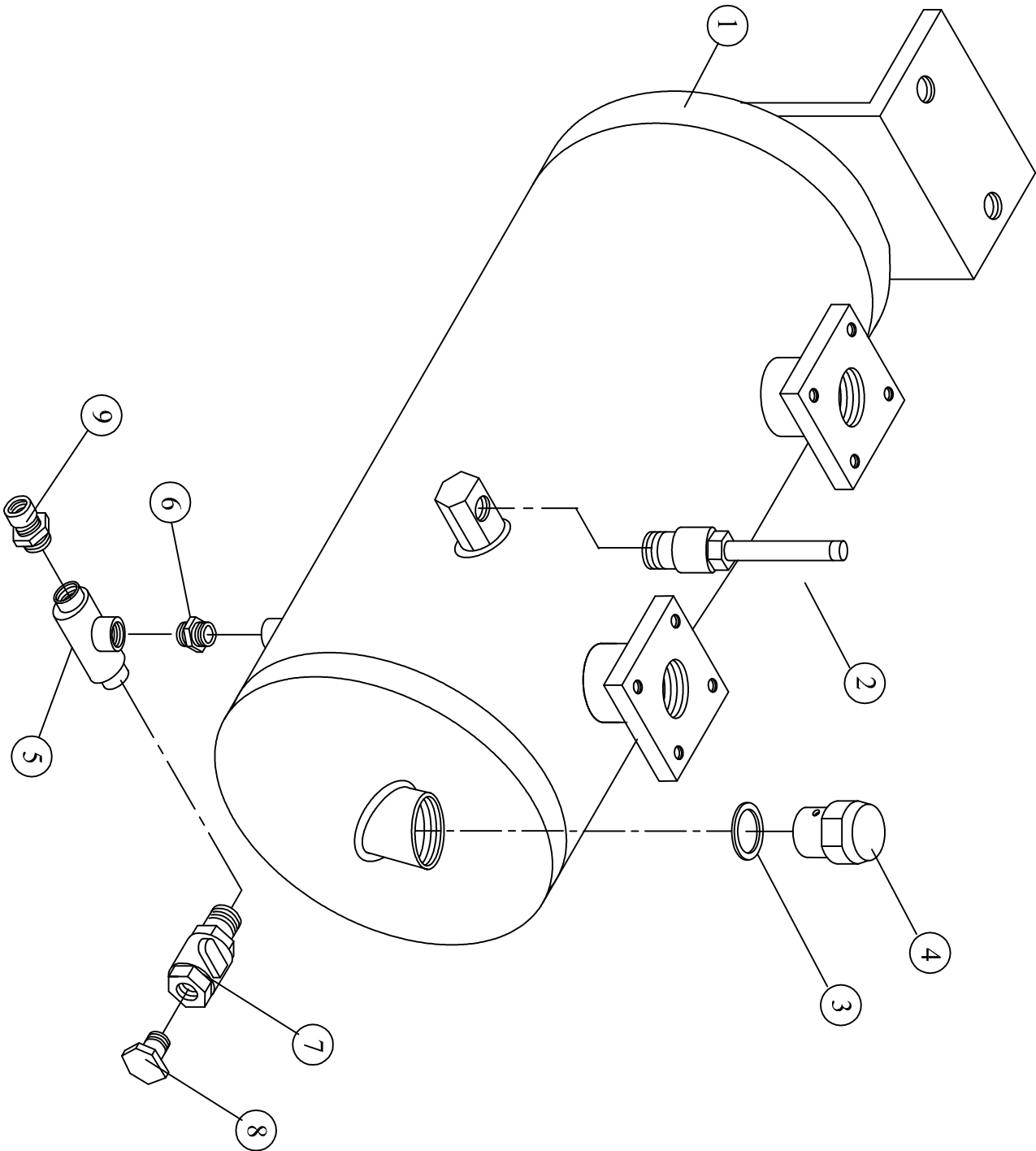
SOĞUTMA VE YAĞLAMA SİSTEMİ/COOLING and UBRICATION SYSTEM DMD200-250-300



SOĞUTMA ve YAĞLAMA SİSTEMİ / COOLING and LUBRICATION SYSTEM

NO	PARÇA ADI	DESCRIPTION	BEZEICHNUNG	PARÇA NO/PARTS NO
1	seperatör elemanı(15-18,5 Kw)	element, separator	Ölabscheider	211910
	seperatör elemanı(22Kw)	element, separator	Ölabscheider	222910
2	nipel, 1"	nipple, 1"	Nippel, 1"	200215-4
3	nipel, 1/2"-3/4"	nipple, 1/2"-3/4"	Nippel, 1/2"-3/4"	200214
4	nipel, NPT 1 1/4"-1"	nipple, NPT 1 1/4"-1"	Nippel, NPT 1 1/4"-1"	200219-3
5	yağ hortumu, 3/4" 90x0-40 cm	hose, fluid 3/4" 90x0-40 cm	Ölschlauch 3/4" 90x0-40 cm	218371-35
6	yağ hortumu, 3/4" 90x0-56 cm	hose, fluid 3/4" 90x0-56 cm	Ölschlauch 3/4" 90x0-56 cm	215351-11
7	yağ borusu, 3/8" -1/2"	tube, oil 3/8"-1/2"	pipe, 3/8"-1/2"	215342-3
8	yağ borusu, 3/8"- 1/2"	tube, oil 3/8"-1/2"	pipe, 3/8"-1/2"	215342-4
9	hava hortumu, 1" 90x0-53 cm	hose, air 1" 90x0-53 cm	Luftschlauch, 1" 90x0-53 cm	215351-12
10	hava çıkış borusu 3/4"	tube, 3/4"		218341-3
11	termostatik valf	valve, thermal	Thermisches Ventil	222952
12	yağ filtre nipel, 3/4"	nipple, oil filter, 3/4"	Öfilternippel, 3/4"	200222-27
13	yağ filtre elemanı	element, fluid filter	Öfilterelement	237702
14	nipel, 3/4"-3/4"	nipple, 3/4"-3/4"	Nippel, 3/4"-3/4"	200201
15	ters dirsek, 3/4"	elbow, 3/4"	Krümmen 3/4"	200290-2
16	ters dirsek, 1"	inverted elbow 1"	invertiert Ellenbogen 1"	200290-4
17	1/2" dirsek enjektör	injector elbow, 1/2"		200401-7
18	cıvata M8x25	capscrew, M8x25	Schraube, M8x25	20C148
19	pul M8	washer, M8	Unterlegscheibe, M8	20P105
20	o-ring	o-ring	o-ring	215782
21	1/8" sıklı malı rekor	connector hose 1/8"	Schlauchstecker, 1/8"	200314
22	redüksiyon, 3/4"-1/2"	reducer, 3/4"-1/2"	Reduzierstück, 3/4"-1/2"	200332
23	Ø 6 boru	hose polyemid Ø6	Polyamid -Schlauch, Ø 6	2PH381
24	sıklı malı dirsek, 1/4"-Ø6	connector hose 1/4" - Ø6	Schlauchstecker, 1/4"-Ø 6	200329
25	litle 3/4"-3/4"	ringlet 3/4"-3/4"	ringel 3/4"-3/4"	200510-11

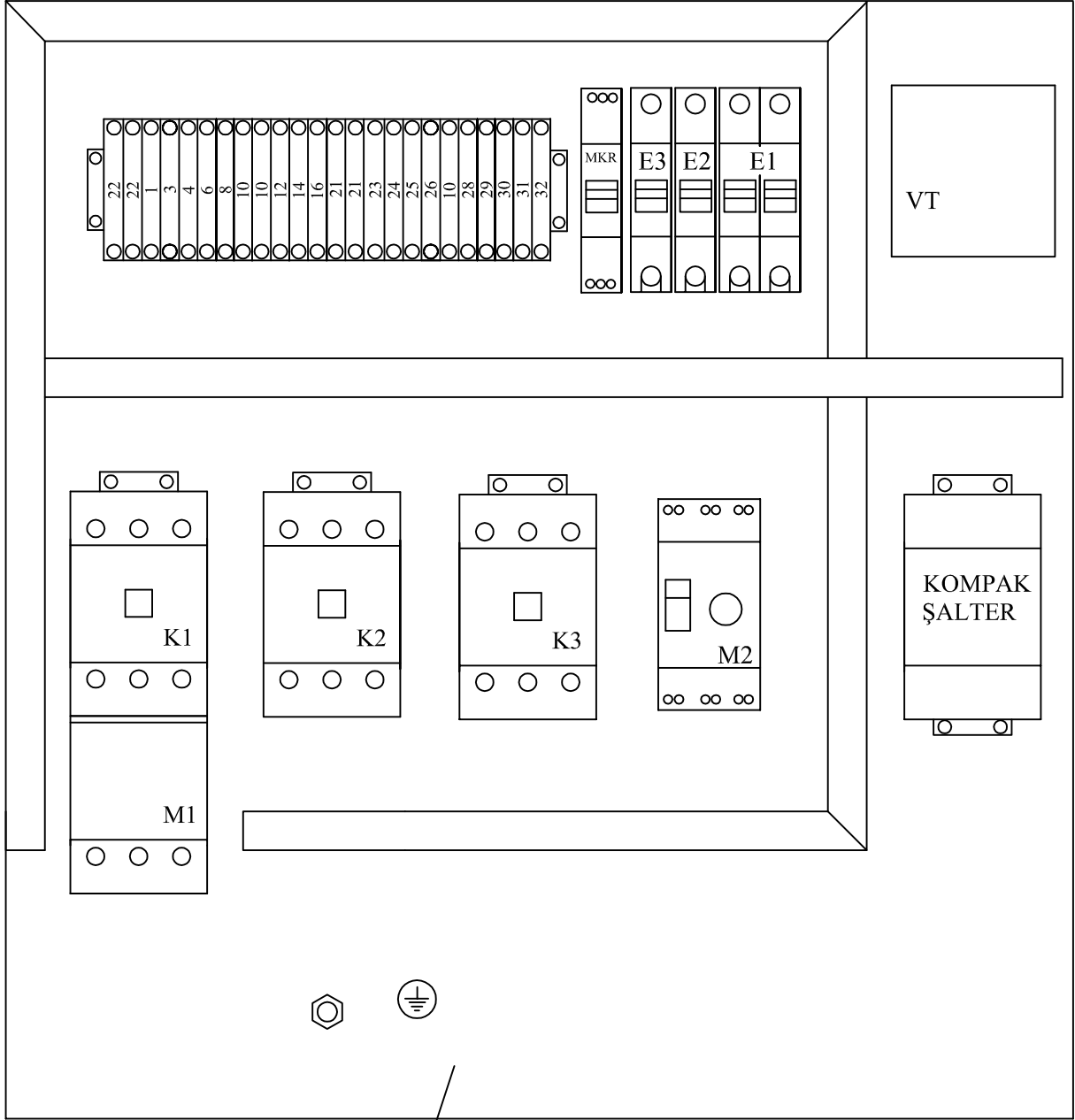
DEȘARJ SISTEMĂ / COMPRESSOR DISCHARGE SYSTEM (15 KW)



KOMPRESÖR TAHLİYE SİSTEMİ / COMPRESSOR DISCHARGE SYSTEM

NO	PARÇA ADI	DESCRIPTION	BEZEICHNUNG	PARÇA NO/PARTS NO
1	seperatör tank	sump tank	Sumpfbehälter	211905-3
2	emniyet ventili 1/2" (12 bar)	valve, pressure relief 1/2" (12 bar)	Sicherheitsventil 1/2" (12 bar)	222956
	emniyet ventili 1/2" (14 bar)	valve, pressure relief 1/2" (14 bar)	Sicherheitsventil 1/2" (14 bar)	222956-1
3	o-ring, 1"	o-ring, 1"	o-ring, 1"	205783
4	yağ doldurma tapa, 1"	plug, fluid fill, 1"	Ölfüllschraube 1"	200387
5	R1/2" Hidrolik T	Tee, 1/2"	T Stück-Stecker 1/2"	200376-1
6	R1/2"-1/2"NPT nipel	nipple, 1/2"-1/2" NPT	Nippel , NPT 1/2"-1/2"	200120
7	R1/2" vana	valve, globe	Kugelhahn, 3/4"	200902
8	körtapa, R1/2"	plug, 1/2"	Verschlußschraube, 1/2"	200378
9	R1/2" yüksüklü rekor	connector , tube 1/2"		200312

ELEKTRİK KUTUSU / ELECTRIC BOX / SCHALTSCHRANK



1

ELEKTRİK KUTUSU / ELECTRIC BOX / SCHALTSCHRANK

NO	PARÇA ADI	DESCRIPTION	BEZEICHNUNG	PARÇA NO/PART NO
1	elektrik pano sacı	sheet, electrical box	Schaltschrankblech	IML001187
2	meekanik kilitleme	mechanical interlock	Mechanische Verriegelung	ELK000434
E1	sigorta, 2x1A	Circuit breaker, cir 1a 2 pole	Sicherung, 2x1A	ELK000098
E2	sigorta, 1x1A	circuit breaker, 1a 1 pole	Sicherung 1 x 1A	ELK000109
E3	sigorta, 1x4A (15kw)	Circuit breaker, cir-4a 1 pole	Sicherung, 1x4A	ELK000104
M1	ana motor termiği (15kW)	Starter, main motor (15kW)	Überlastrelais,Hauptmotor (15kW)	ELK000050
M2	fan motor termiği	Starter, fan motor	Überlastrelais,Lüftermotor	ELK000061
K1-K2	kontakör (15-18kW)	contactor (15-18kW)	Kontaktgeber (15-18kW)	ELK000007
K3	kontakör (15-18kW)	contactor (15-18kW)	Kontaktgeber (15-18kW)	ELK000006
MKR	motor konuma rölesi	voltage monitoring relay-three phase	Motorschutzrelais	ELK000118
VT	trafo	transformer	Transformator	ELK000121
PE	M6 Topraklama Takozu	grounding wedge	Erdung Keil	ELK000424
KŞ	Kompak Şalter	compact switch	compact Switch	ELK000865
LÇB	Uzaktan Çalışıyor Butonu	Remote Work Button	Remote-WORK-Taste	ELK000383

ELEKTRİK ŞEMASI / ELECTRIC WIRING DIAGRAM / ELEKTRISCHER SCHALTPLAN

NO	PARCA ADI	DESCRIPTION	BEZEICHNUNG	PARCA NO/PART
E1	sigorta, 2x1A	Circuit breaker, cir 1a 2 pole	Sicherung, 2x1A	ELK000098
E2	sigorta, 1x2A	circuit breaker, 2a 1 pole	Sicherung 1 x 2A	ELK000109
E3	sigorta, 1x3A (15kw)	Circuit breaker, cir 3a 1 pole	Sicherung, 1x3A	ELK000104
M1	ana motor termiği (15kW)	Starter, main motor (15kW)	Überlastrelais,Hauptmotor (15kW)	ELK000050
M2	fan motor termiği	Starter, fan motor	Überlastrelais,Lüftermotor	ELK000061
K1-K2	kontakör (15-18kW)	contactor (15-18kW)	Kontakgeber (15-18kW)	ELK000007
K3	kontakör (15-18kW)	contactor (15-18kW)	Kontakgeber (15-18kW)	ELK000006
MKR	motor koruma rölesi	voltage monitoring relay-three phase	Motorschutzrelais	ELK000118
VT	trafo	transformer	Transformator	ELK000121
ES	Acil durdurma butonu	Button, emergency stop	Not - Aus Taste	ELK000384
P1	emniyet presostatı	security, Pressure	Sicherheitsdruckschalter	ELK000204
SV	solenoid valf	Valve, solenoid	Magnetventil	ELK004307
PS1	Basınç senserü	Pressure sensor	Druckfühler	ELK000200
TS	Isı senserü	Thermal sensor	Temperaturfühler	ELK000389
PE	M6 Topraklama Takozu	grounding wedge	Erdung Keil	ELK000424
KŞ	Kompak Şalter	compact switch	compact Switch	ELK000865
LÇB	Lokal Çalıştırma Butonu	Local Operation Button	Lokale Aktion Taste	ELK000383
UÇB	Uzaktan Çalışıyor Butonu	Remote Work Button	Remote-WORK-Taste	ELK000385